



LIFTING EYE NUTS, CASTED



DATASHEET
WS 9582

IHRE VERBINDUNG ZUM ERFOLG
YOUR ACCESS TO SUCCESS

WS 9582

TECHNICAL SPECIFICATIONS

Lifting eye nuts often also called **ring nuts** are stable **ring-shaped fasteners** with an **internal thread**. Due to the ring shape, various fastening constructions can be flexibly connected or hung in position and used in various combinations. The areas of application range from

railing & fence construction, gardening and landscaping through to **hangings, bracings** and **light tensioning work of all kinds**. Casted eye bolts are not permitted as lifting slings in hoist operations.

Material	Stainless Steel
Material class	A4 - AISI 316 A2 - AISI 304
Surface	Blank - polished
Manufacturing method	casting
Marking	Material + Nominal size
others	Not approved for use in Hoist operations

PRACTICES



FOR FIXING ELEMENTS OF ALL KINDS



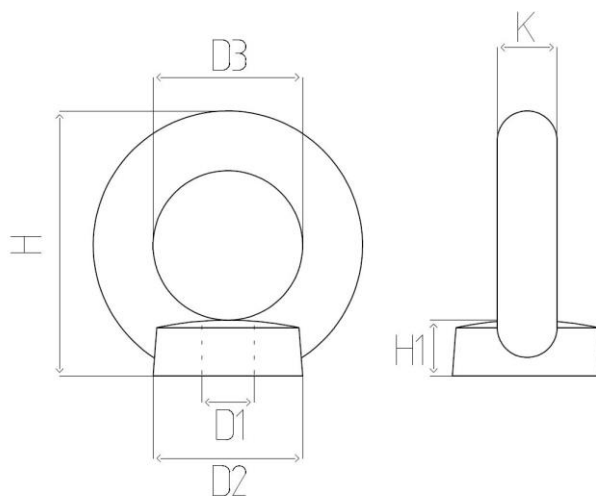
BALUSTRADES, GARDENING AND LANDSCAPING,
VARIOUS TYPES OF HANGING AND BARRIERS

WE'LL BE PLEASED TO ADVISE FOR YOUR APPLICATION.

T +49(0)202 / 26 32-0
info@wasi.de
www.wasi.de



DIMENSIONS (MM)



D1 nominal	D2 mm	D3 mm	H mm	H1 mm	K mm
M5	15	15	25	6	5
M6	16	16	28	6	6
M8	20	20	33	6	8,5
M10	25	25	42	10	10
M12	30	30	51	11	12
M16	35	35	60	13	14
M20	40	40	68,8	16	16
M24	50	50	86,8	20	20
M30	65	60	104,8	25	24

