



**CSK CHIPBOARD SCREWS, TX
DRILLING POINT, PARTIAL THREAD**



**DATASHEET
WS 9145**

**IHRE VERBINDUNG ZUM ERFOLG
YOUR ACCESS TO SUCCESS**

WS 9145

TECHNICAL SPECIFICATIONS

The partial thread extends over only part of the screw length. Partially threaded screws are particularly suitable for fastening wooden panels to wooden beams. The thread-free part should always be chosen so that it corresponds at least to the thickness of the board to be

screwed. The thread in the lower piece of wood tightens, while the upper piece of wood is tightened to the lower piece of wood via the screw head. The version with a drilling point enables faster processing. Due to the machining of the wood fibres, the tendency of the material to split is reduced.

Material	stainless steel
Quality	A2
Thread type	wood thread
Surface	clean and bright
General requirements	ISO 8992
Mechanical attributes	ISO 3506-1
General tolerance	ISO 4759-1
Hexalobular internal drive	ISO 10664
Edges	ISO 13715

YOUR ADVANTAGES



TX-DRIVE = FASTER SCREWING

- › Improved torque transmission
- › Optimal centering
- › Minimises drive and bit wear



UNIVERSALLY APPLICABLE

PRACTICES

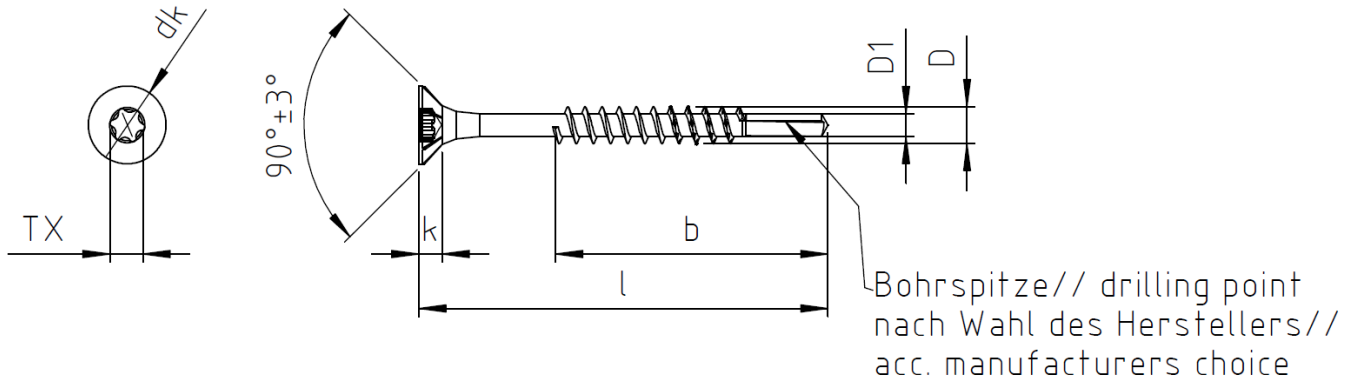
WE'LL BE PLEASED TO ADVISE FOR YOUR APPLICATION.

T +49(0)202 / 26 32-0
info@wasi.de
www.wasi.de





DIMENSIONS (MM)



Diameter D	3	3,5	4	4,5	5	6
k	1,60 – 1,90	1,80 – 2,10	2,10 – 2,50	2,30 – 2,70	2,60 – 3,00	3,10 – 3,60
dk	5,60 – 6,00	6,60 – 7,00	7,50 – 8,00	8,50 – 9,00	9,50 – 10,00	11,50 – 12,00
D ₁	1,80 – 2,00	2,00 – 2,20	2,30 – 2,50	2,50 – 2,70	2,80 – 3,10	3,50 – 3,80
Ø 	2	2	2	2	3	3
TX						



DIMENSIONS (MM)

Length l / Ø	3	3,5	4	4,5	5	6
	b					
25	18	18	18	18	18	18
30	18	18	18	18	18	18
35	24	24	24	24	24	24
40	24	24	24	24	24	24
45	30	30	30	30	30	30
50	30	30	30	30	30	30
60			36	36	36	36
70			36	36	36	36
80			36	36	36	36
90			42	42	42	42
100			48	48	48	48
110				54	54	54
120				60	60	70
130					70	70
140					70	70
150						70
160						70
180						70
200						70

X = available ex stock

Further dimensions are available on request

WE'LL BE PLEASED TO ADVISE FOR YOUR APPLICATION.

T +49(0)202 / 26 32-0
 info@wasi.de
 www.wasi.de

