

**WASI**

**COUNTERSUNK CHIPBOARD SCREWS, FULL THREAD**



**DATASHEET**  
**WS 9100**

**IHRE VERBINDUNG ZUM ERFOLG**  
***YOUR ACCESS TO SUCCESS***

# WS 9100

## TECHNICAL SPECIFICATIONS

Countersunk chipboard screws and Pozi drives are mainly used in general timber construction for various types of timber constructions. Especially suitable are

fully threaded screws for the fastening of fittings and hinges. In order to prevent splicing and splintering, we recommend pre-drilling accordingly.

<b>Material</b>	stainless steel
<b>Quality</b>	A2
<b>Thread type</b>	wood thread
<b>Surface</b>	clean and bright
<b>General requirements</b>	ISO 8992
<b>Mechanical attributes</b>	ISO 3506-1
<b>General tolerance</b>	ISO 4759-1
<b>Hexalobular internal drive</b>	ISO 10664
<b>Edges</b>	ISO 13715

## YOUR ADVANTAGES



POZI-DRIVE = FASTER SCREWING

- › Improved torque transmission
- › Optimal centering
- › Minimises drive and bit wear



UNIVERSALLY APPLICABLE

## PRACTICES



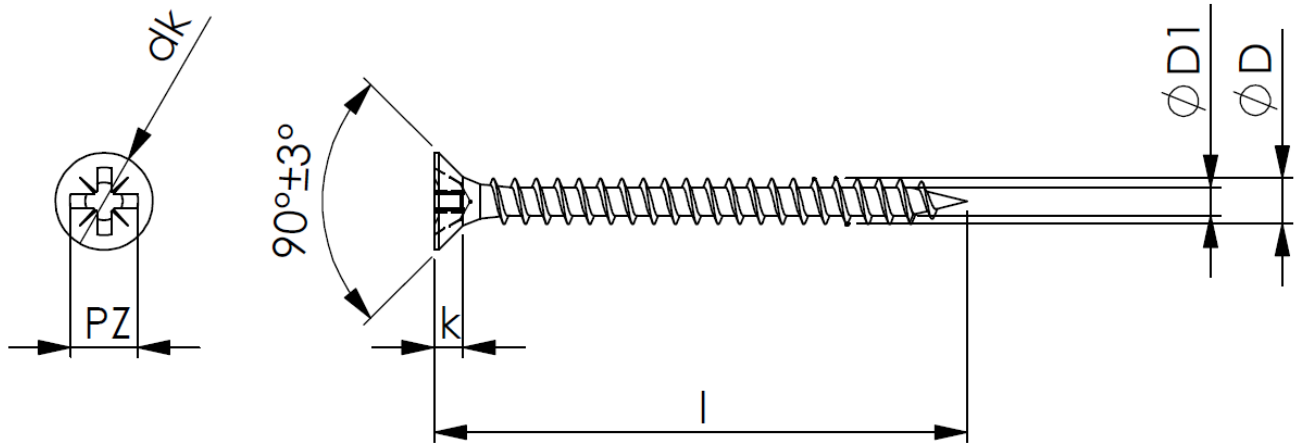
WOOD AND FURNITURE CONSTRUCTIONS

WE'LL BE PLEASED TO ADVISE FOR YOUR APPLICATION.

T +49(0)202 / 26 32-0  
info@wasi.de  
www.wasi.de



# DIMENSIONS (MM)



Diameter D	3	3,5	4	4,5	5	6
k	1,60 – 1,90	1,80 – 2,10	2,10 – 2,50	2,30 – 2,70	2,60 – 3,00	3,10 – 3,60
dk	5,60 – 6,00	6,60 – 7,00	7,50 – 8,00	8,50 – 9,00	9,50 – 10,00	11,50 – 12,00
D <sub>1</sub>	1,80 – 2,00	2,00 – 2,20	2,30 – 2,50	2,50 – 2,70	2,80 – 3,10	3,50 – 3,80
$\varnothing$ 	2	2	2	2	3	3
PZ	Z1	Z2	Z2	Z2	Z2	Z3

WE'LL BE PLEASED TO ADVISE FOR YOUR APPLICATION.

T +49(0)202 / 26 32-0  
 info@wasi.de  
 www.wasi.de



# DIMENSIONS (MM)

Length l / Ø	3	3,5	4	4,5	5	6
12	X	X	X			
13	X	X	X			
16	X	X	X	X	X	
20	X	X	X	X	X	X
25	X	X	X	X	X	X
30	X	X	X	X	X	X
35	X	X	X	X	X	X
40	X	X	X	X	X	X
45	X	X	X	X	X	X
50	X	X	X	X	X	X
60			X	X	X	X
70			X	X	X	X
80			X	X	X	X
90					X	X
100					X	X
110					X	X
120					X	X
130					X	X
140					X	X

X = available ex stock

Further dimensions are available on request

WE'LL BE PLEASED TO ADVISE FOR YOUR APPLICATION.

T +49(0)202 / 26 32-0

info@wasi.de

www.wasi.de

